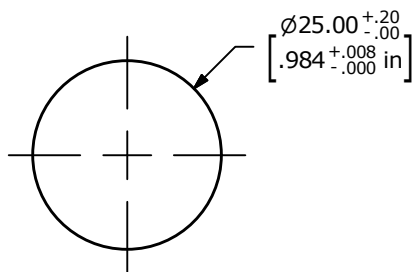
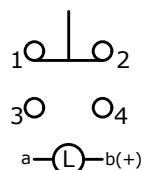


▲ Parts List

ITEM	QTY	PART NUMBER	DESCRIPTION
1	1	F060602	LASEEV11
2	1	F060206	25MM YELLOW LENS
3	1	F051705	30MM FLUSH MOUNT RETAINER
4	1	F051704	30MM FLUSH MOUNT BEZEL
5	1	F050424	24VDC YELLOW LED



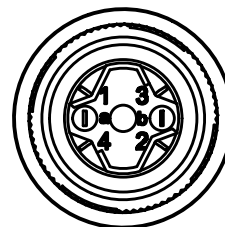
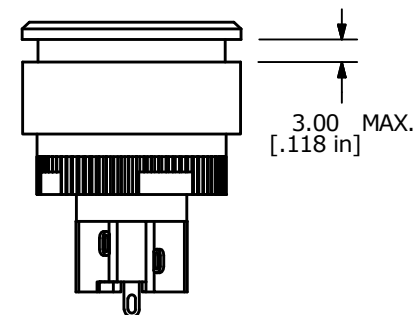
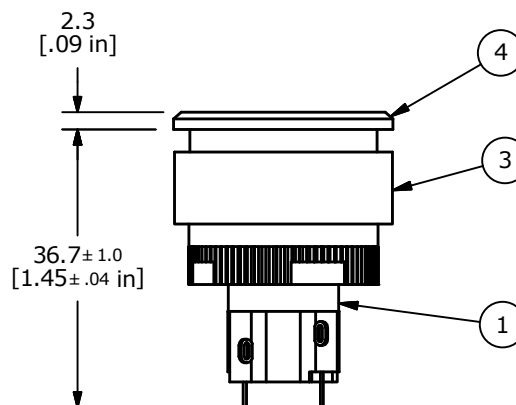
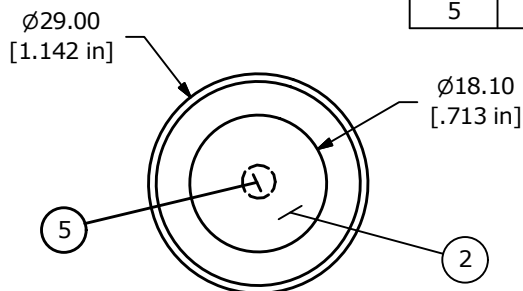
PANEL MOUNTING



▲ SPDT CONTACT CONFIGURATION

NOTES:

1. ALL DIMENSIONS IN MM [INCH].
2. GENERAL TOLERANCE: 0.0 = ± 0.4  
0.00 = ± 0.25
3. TERM. NOS. FOR REF. ONLY.
4. RATING: 5A @250VAC  
8A @125VAC  
0.2A @250VDC  
6A @24VDC
5. INSULATION: 1,000 MΩ MIN.
6. DIELECTRIC STRENGTH: 2000V FOR 1 MIN.
7. SEALED TO IP65.
8. TRAVEL: 3.0MM FULL TRAVEL, 2.0MM LATCHING
9. ELECTRICAL LIFE: >50,000 CYCLES
10. OPERATING TEMP: -25C TO +55C
11. PANEL THICKNESS: 0.5MM TO 3.0MM
12. LAMP : YELLOW LED; 24 VDC
13. ▲ DENOTES CRITICAL PARAMETER
- ▲ 14. PACKAGE: BOX/10 PER
15. 2011/65/EU (ROHS) COMPLIANT



A	22370	RELEASED FOR PRODUCTION	6/27/16	MW
REV	PCR NO	DESCRIPTION	DATE	BY

TITLE LASEEV31KYELYEL				
SCALE 1:1	DATE 6/27/2016	DR MW	DWG XF0908P	REV A

THE INFORMATION CONTAINED IN THIS DOCUMENT IS PROPRIETARY TO E-SWITCH AND IS NOT TO BE COPIED OR TRANSFERRED